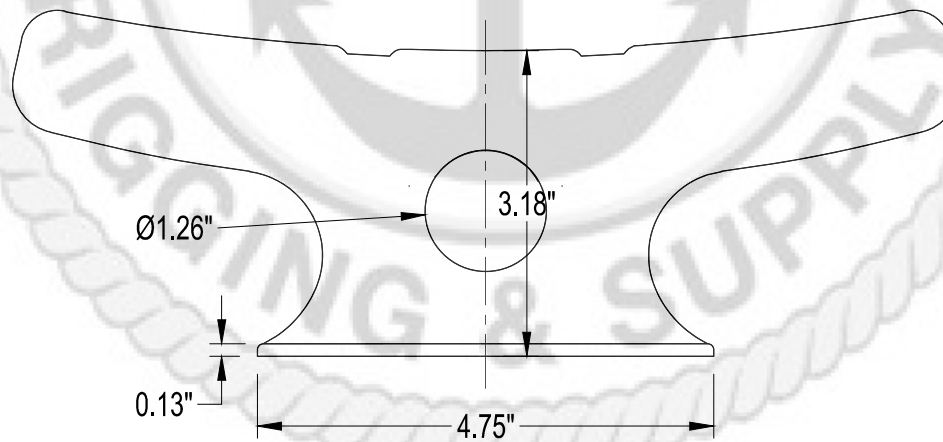


TOP VIEW



SIDE VIEW

PROPRIETARY AND CONFIDENTIAL THE INFORMATION CONTAINED IN THIS DRAWING IS THE SOLE PROPERTY OF ACE MARINE. ANY REPRODUCTION IN PART OR AS A WHOLE WITHOUT THE WRITTEN PERMISSION OF ACE MARINE IS PROHIBITED.	ACE MARINE RIGGING & SUPPLY, INC 600 ARENDELL STREET MOREHEAD CITY, NC 28557 PHONE (252)726-6620 FAX (252)726-7499		DESCRIPTION 10" CLEAT
			PART NO. AMC-10-3
			MATERIAL ASTM A27 Grade 65-35
			SHEET SIZE A
SCALE: 1:2 DATE: 10-10-11 DRAWN BY: DWG			