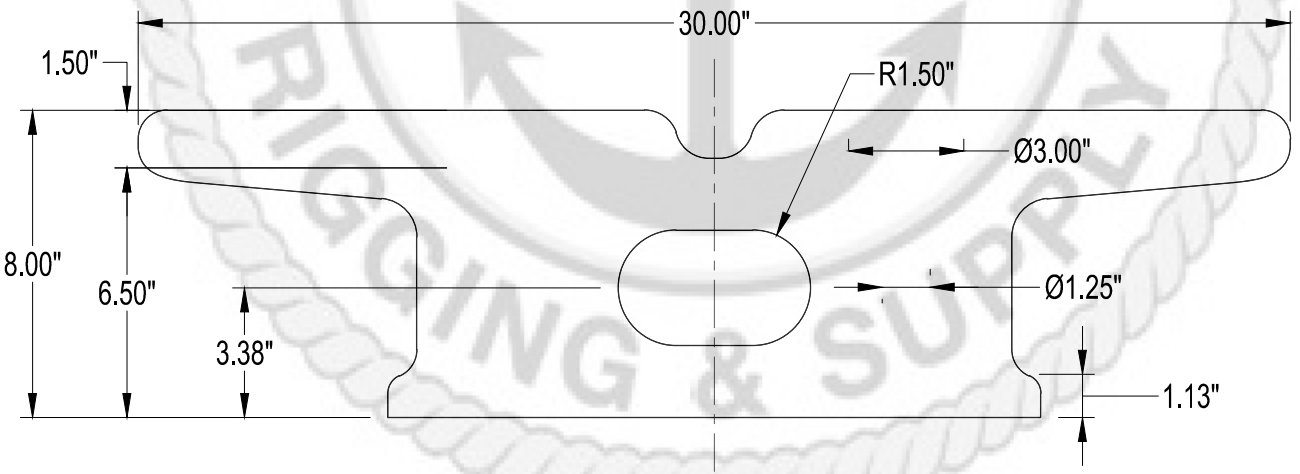


TOP VIEW



SIDE VIEW

PROPRIETARY AND CONFIDENTIAL THE INFORMATION CONTAINED IN THIS DRAWING IS THE SOLE PROPERTY OF ACE MARINE, ANY REPRODUCTION IN PART OR AS A WHOLE WITHOUT THE WRITTEN PERMISSION OF ACE MARINE IS PROHIBITED. SCALE: 1:5 DATE: 10-30-11 DRAWN BY: DWG	ACE MARINE RIGGING & SUPPLY, INC 600 ARENDELL STREET MOREHEAD CITY, NC 28557 PHONE (252)726-6620 FAX (252)726-7499	DESCRIPTION 30" CLEAT	
		PART NO. AMC-30-2	
		MATERIAL CAST STEEL	SHEET SIZE A