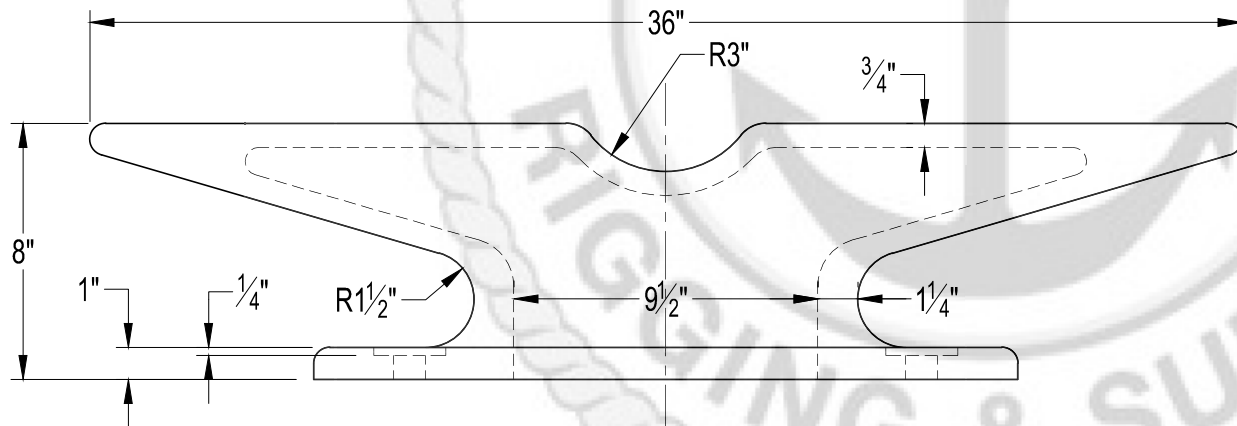
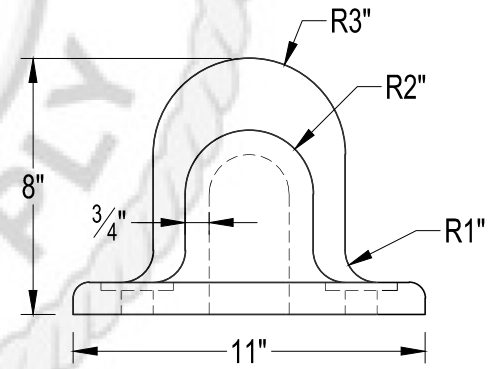


TOP VIEW



FRONT VIEW



SIDE VIEW

PROPRIETARY AND CONFIDENTIAL THE INFORMATION CONTAINED IN THIS DRAWING IS THE SOLE PROPERTY OF ACE MARINE, ANY REPRODUCTION IN PART OR AS A WHOLE WITHOUT THE WRITTEN PERMISSION OF ACE MARINE IS PROHIBITED. SCALE: 1/6 DATE: 11-11-1 DRAWN BY: DWG	ACE MARINE RIGGING & SUPPLY, INC 600 ARENDELL STREET MOREHEAD CITY, NC 28557 PHONE (252)726-6620 FAX (252)726-7499	DESCRIPTION 36" CLEAT	
		PART NO. AMC-36-1	
		MATERIAL CAST STEEL	SHEET SIZE A