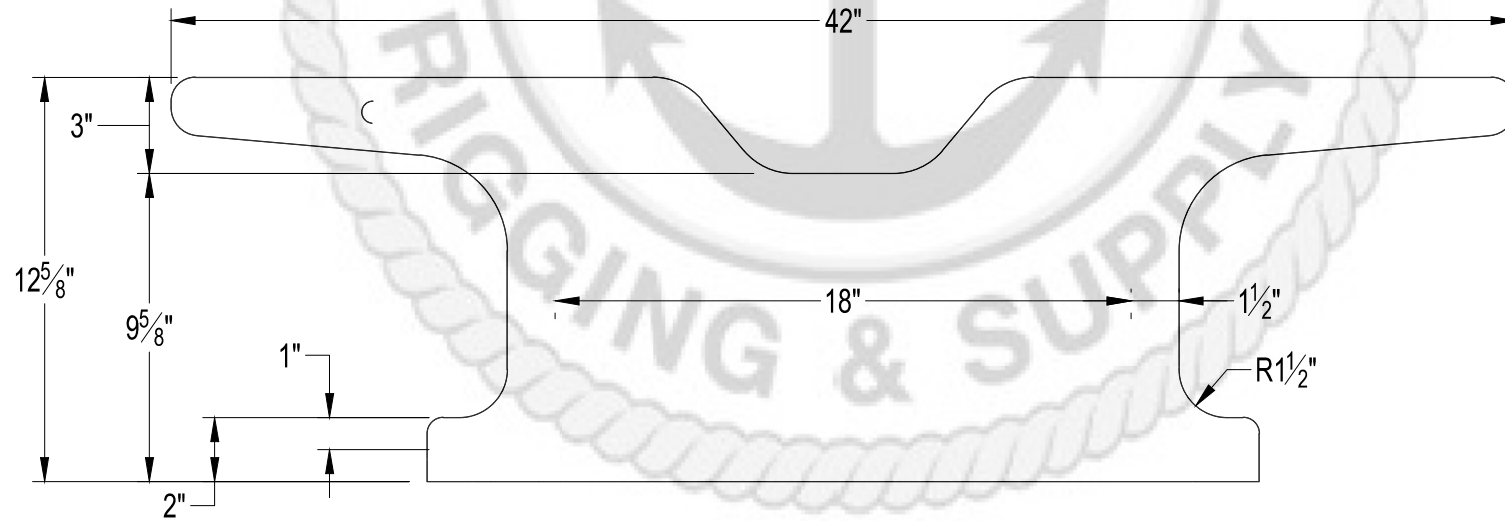


TOP VIEW



FRONT VIEW

PROPRIETARY AND CONFIDENTIAL THE INFORMATION CONTAINED IN THIS DRAWING IS THE SOLE PROPERTY OF ACE MARINE. ANY REPRODUCTION IN PART OR AS A WHOLE WITHOUT THE WRITTEN PERMISSION OF ACE MARINE IS PROHIBITED. SCALE: 1:6 DATE: 10-26-11 DRAWN BY: DWG	ACE MARINE RIGGING & SUPPLY, INC 600 ARENDELL STREET MOREHEAD CITY, NC 28557 PHONE (252)726-6620 FAX (252)726-7499	DESCRIPTION 42" CLEAT PART NO. AMC-42-2	SHEET SIZE A
	MATERIAL CAST STEEL		