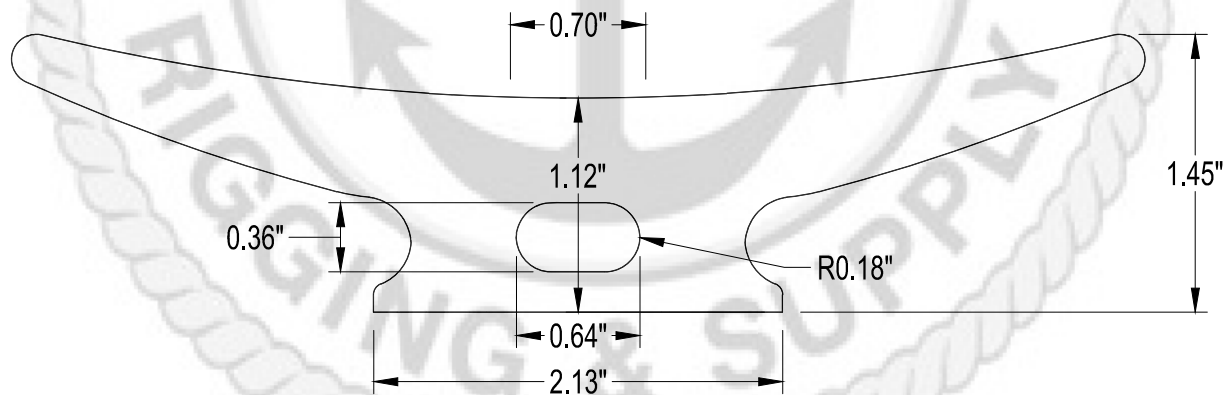


TOP VIEW



SIDE VIEW

PROPRIETARY AND CONFIDENTIAL THE INFORMATION CONTAINED IN THIS DRAWING IS THE SOLE PROPERTY OF ACE MARINE. ANY REPRODUCTION IN PART OR AS A WHOLE WITHOUT THE WRITTEN PERMISSION OF ACE MARINE IS PROHIBITED.	ACE MARINE RIGGING & SUPPLY, INC 600 ARENDELL STREET MOREHEAD CITY, NC 28557 PHONE (252)726-6620 FAX (252)726-7499		DESCRIPTION 6" CLEAT
	SCALE: 1:1 DATE: 8-30-11 DRAWN BY: DWG		PART NO. AMC-6-1
			MATERIAL MAL. IRON - GRADE 32510
			SHEET SIZE A