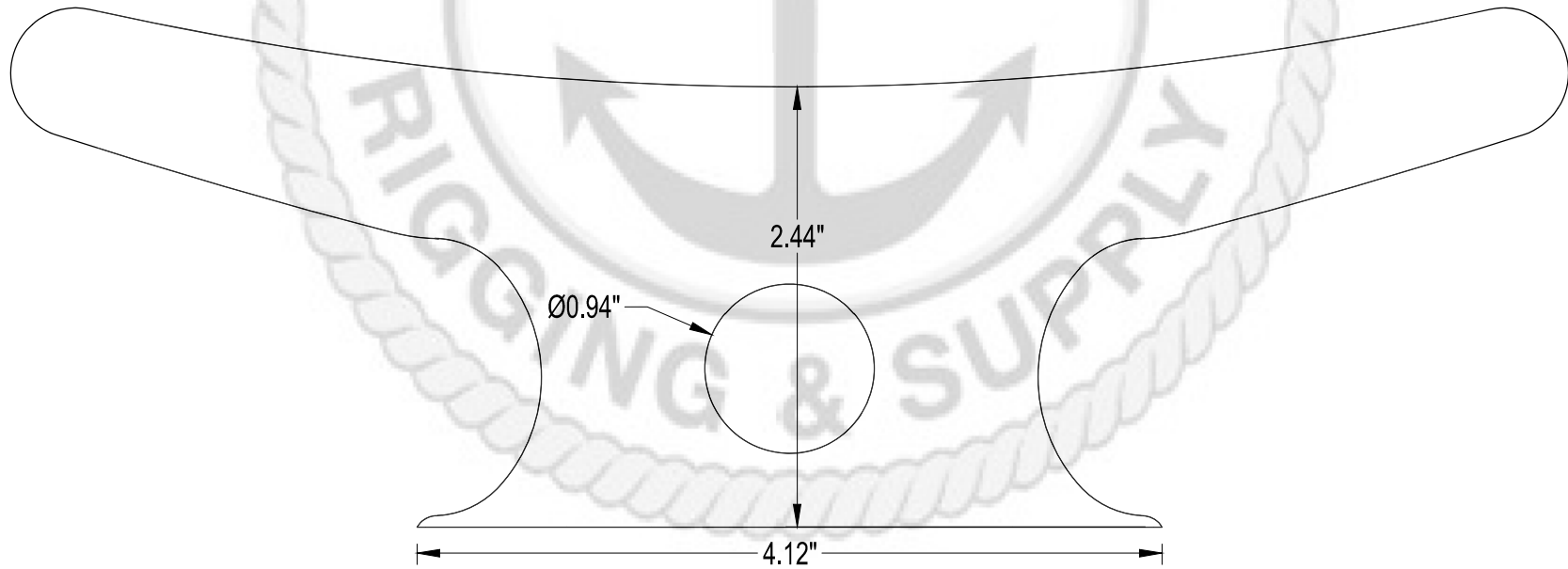


TOP VIEW



SIDE VIEW

<p>PROPRIETARY AND CONFIDENTIAL</p> <p>THE INFORMATION CONTAINED IN THIS DRAWING IS THE SOLE PROPERTY OF ACE MARINE. ANY REPRODUCTION IN PART OR AS A WHOLE WITHOUT THE WRITTEN PERMISSION OF ACE MARINE IS PROHIBITED.</p> <p>SCALE: 1:1 DATE: 8-30-11 DRAWN BY: DWG</p>	<p>ACE MARINE RIGGING & SUPPLY, INC</p> <p>600 ARENDELL STREET MOREHEAD CITY, NC 28557 PHONE (252)726-6620 FAX (252)726-7499</p>	<p>DESCRIPTION</p> <p>8" CLEAT</p>	<p>SHEET SIZE</p> <p>A</p>
		<p>PART NO.</p> <p>AMC-8-2</p>	
		<p>MATERIAL</p> <p>MAL. IRON - GRADE 32510</p>	