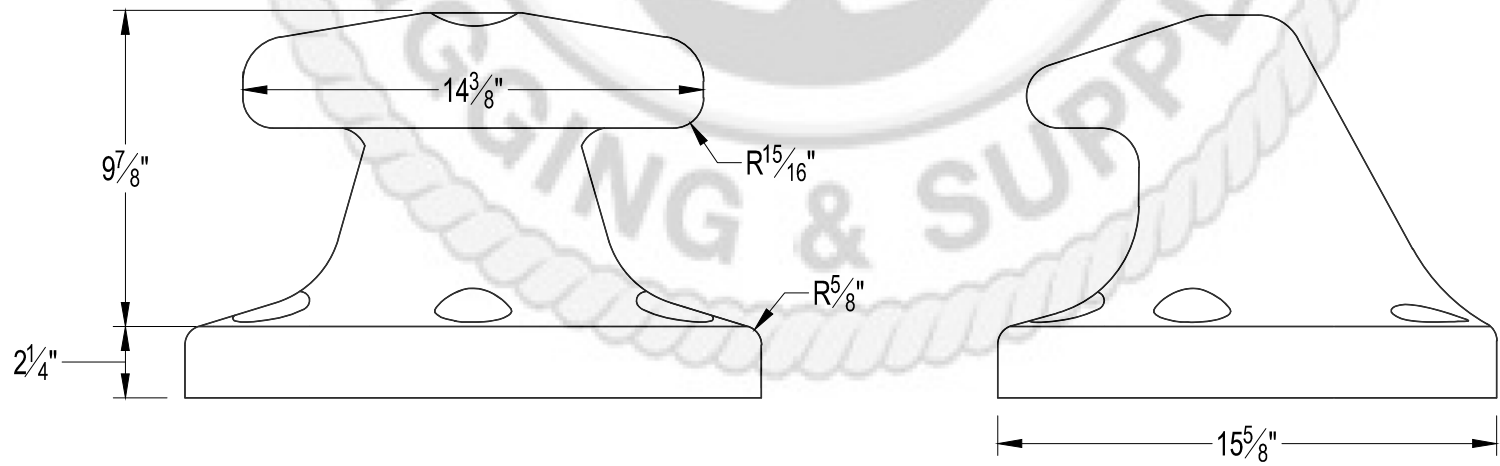


Ø1 1/4" THRU HOLE (5-PLCS)

TOP VIEW



FRONT VIEW

SIDE VIEW

PROPRIETARY AND CONFIDENTIAL THE INFORMATION CONTAINED IN THIS DRAWING IS THE SOLE PROPERTY OF ACE MARINE. ANY REPRODUCTION IN PART OR AS A WHOLE WITHOUT THE WRITTEN PERMISSION OF ACE MARINE IS PROHIBITED.	ACE MARINE RIGGING & SUPPLY, INC. 600 ARENDELL STREET MOREHEAD CITY, NC 28557 PHONE (252)726-6620 FAX (252)726-7499	DESCRIPTION <b>30 TON T-HEAD BOLLARD</b>	
	SCALE: 1:6 DATE: 10-18-11 DRAWN BY: DWG	PART NO. <b>AMT-30</b>	
		MATERIAL <b>CAST STEEL ASTM A27 GRADE 65-35</b>	SHEET SIZE <b>A</b>