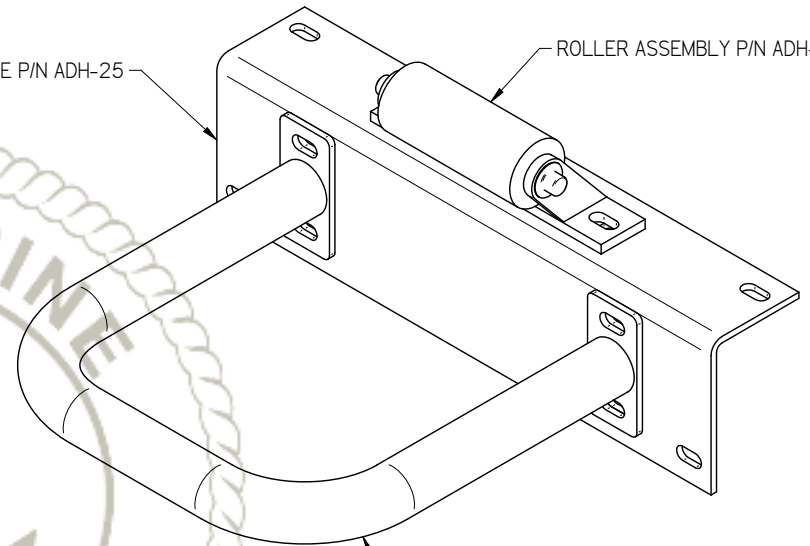
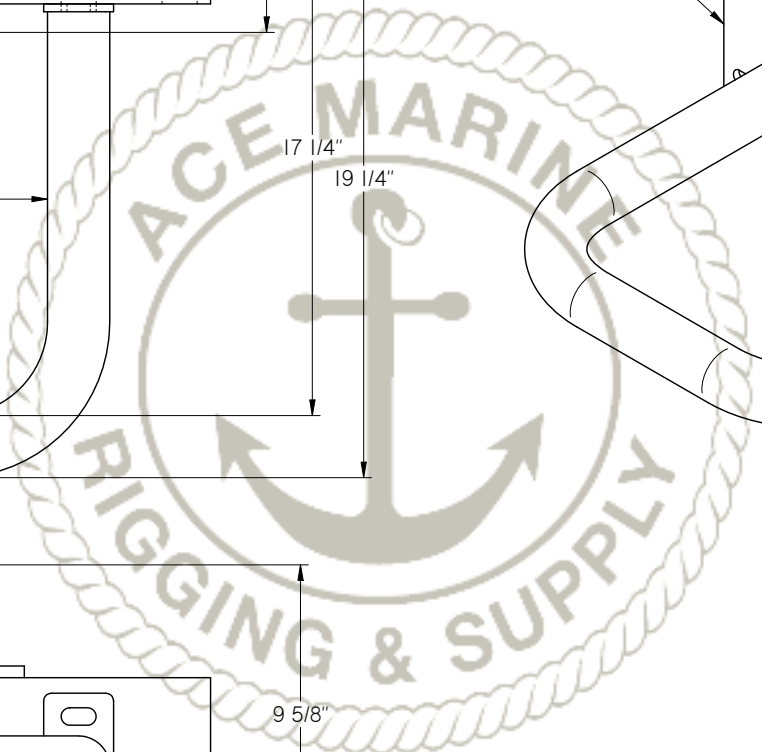
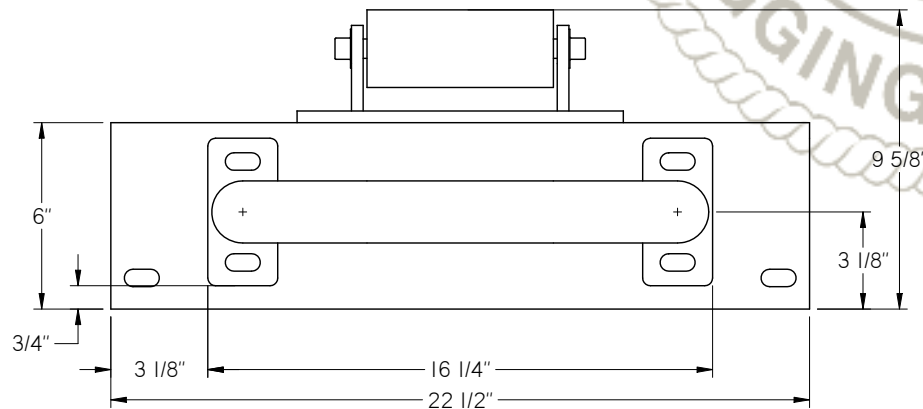


DECK PLATE P/N ADH-25

ROLLER ASSEMBLY P/N ADH-21



PILING HOOP P/N ADH-24



PROPRIETARY AND CONFIDENTIAL
 THE INFORMATION CONTAINED IN THIS
 DRAWING IS THE SOLE PROPERTY OF ACE
 MARINE. ANY REPRODUCTION IN PART OR
 AS A WHOLE WITHOUT THE WRITTEN
 PERMISSION OF ACE HARDWARE IS
 PROHIBITED.
 SCALE: 1/1.33
 DATE: 1/2/12
 DRAWN BY: TJP

ACE MARINE
 RIGGING AND SUPPLY, INC
 600 ARENDELL STREET
 MOREHEAD CITY, NC 28557
 PHONE: (252) 726-6620
 FAX: (252) 726-7499

DESCRIPTION PIPE PILING BRACKET WITH ROLLER	
PART NO. ADH-22	SHEET SIZE D
MATERIAL ASTM A36, HDG ASTM A153	